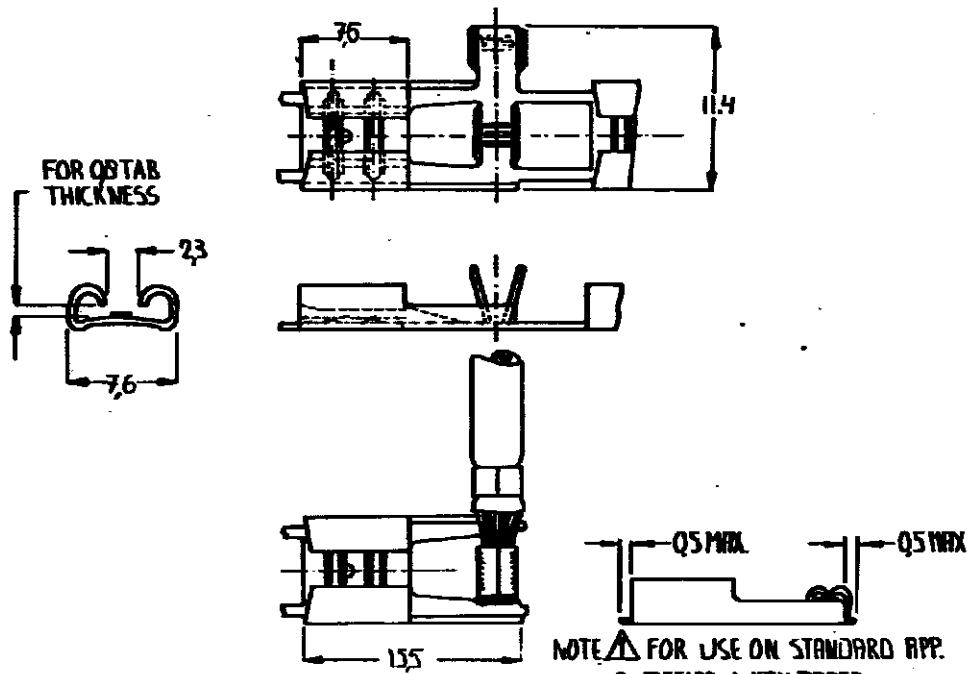
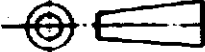


DO NOT SCALE

DIMENSIONS IN mm

METRIC

THIRD ANGLE PROJECTION



NOTE Δ FOR USE ON STANDARD APP.
 2. REELED WITH PAPER
 Δ FOR USE ON MINIATURE APP
 AMP. MOTOR APPLICATION

TIN PLATED	PH BRONZE	Δ	160861-0
UNPLATED	PH BRONZE	Δ	160861-7
TIN PLATED	BRASS	Δ	160861-6
UNPLATED	BRASS	Δ	160861-5
TIN PLATED	PH BRONZE	Δ	160861-4
UNPLATED	PH BRONZE	Δ	160861-3
TIN PLATED	BRASS	Δ	160861-2
UNPLATED	BRASS	Δ	160861-1

FINISH MATERIAL PART NUMBER

CUSTOMER DRAWING

FOR REFERENCE ONLY
WILL NOT BE UPDATED

AMP

AMP-HOLLAND B V
s-Hertogenbosch, The Netherlands

THIS DRAWING IS UNPUBLISHED RELEASED FOR PUBLICATION 19

COPYRIGHT 19 BY AMP-HOLLAND B V
ALL INTERNATIONAL RIGHTS RESERVED
AMP PRODUCTS MAY BE COVERED BY U.S. AND FOREIGN PATENTS AND/OR PATENTS PENDING

1.4
21.9.84
21.9.84

WIRE RANGE
0.5-1.0 mm²
INSUL RANGE
1.4-2.3 DIA.

NAME
63mm SERIES FLAG FASTON RECEPTACLE

REV DATE
D M
23 04 85

21.9.84

SIZE
A4
SHEET
1 x 1

DRAWING NO
C-160861-E

REV LTR
B